

MDVR-M3A-4CH

Streamax - Mobile Digital Video Recorder



Main Features

- ◆ Total resources: 4 channels D1 at real time(100fps/ 120fps)
- ◆ Built-in GPS for location tracking
- ◆ Built-in 3G for live view and remote management
- ◆ H.264 video compression
- ◆ Patented FS 3.0 file system for data reliability and data recovery
- ◆ Supports 32GB/64GB SD card recording
- ◆ Built-in capacitor provides MDVR with enough time to pack the files to avoid any video files loss when the external power is cut off suddenly
- ◆ Low voltage protection

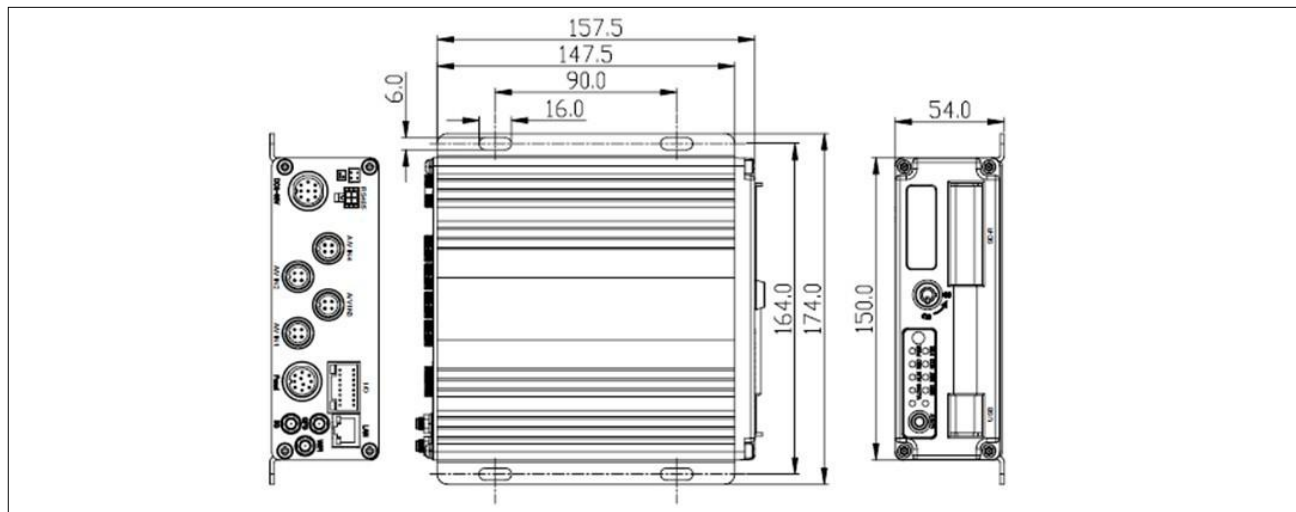
Overview

MDVR-M3A-4CH is a functional Mobile Digital Video Recorder specially designed for vehicle video surveillance and remote monitoring. It supports not only video recording in CIF, HD1 and D1 formats, but also vehicle travel information recording and wireless data upload. With center software it also achieves alarm linkage central monitoring, remote management and playback analysis. It is easy to use with simple design, multi-functions, superior anti-vibration, flexible installation and high reliability.

Specification

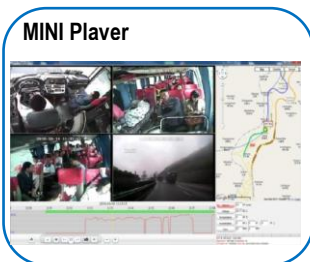
Function Overview		Live view recording, playback, network, GPS location tracking
System	OS	Embedded real-time Linux
	Control Mode	IR remote control, control panel, network
Video	Input	4 channels (Aviation-din X4)
	Output	2 channels (Panel × 1 and V-out × 1)
	Video System	NTSC/PAL
Audio	Input	4 channels (Aviation-din X4) (Note: The frame rate setup must be above 6fps)
	Output	1 channel (CP3/CP4 or RCA)
Display	Display Split	1/4
	OSD	GPS information, alarm, temperature, acceleration, voltage, firmware version, MCU version, device information
	Operation Interface	Semi-transparent GUI
Recording	Video/Audio Compression	H.264/ADPCM
	Image Resolution	PAL: D1 (704*576), HD1 (704*288), CIF (352*288) NTSC: D1 (704*480), HD1 (704*240), CIF (352*240)
	Image Quality	1~8 levels adjustable (1 is the best)
	Recording Mode	General/schedule/alarm/ (sensor trigger, speed, video loss)
	Post-recording	Maximum 30 minutes
	Mirror Recording	No
Playback & Backup	Playback Channel	General/schedule/alarm/ (sensor trigger, speed, acceleration, video loss, temperature)
	Search Mode	Date/time, channel, file type
	Backup Mode	USB, network
Network	Ethernet	RJ45 port (10/100M)
	3G	HSPA/EVDO (optional)
	GPS	GPS location tracking, speed detection and sync time
Storage	SD Card	Streamax 32GB/64GB class 10 SDHC card
Interface	USB	USB 2.0 × 1
	RS485	RS485 × 1
	Sensor	8 inputs, 2 outputs
	UPS	Uninterrupted power supply for MDVR
Power	Input	6 ~36 V
	Output	12V@1A; 5V@1A
	Consumption	12W (without cameras and any accessories)

Dimension (unit: mm)



Physical Characteristic	Dimension (L × W × H)	174mm × 159mm × 54mm
	Weight	1.8kg
Environment	Operating Temperature	-25°C ~ +60°C (Please use built-in heater if the temperature is below 0°C)
	Operating Relative Humidity	10%~90%

PC Software



Optional Accessories

