

MDVR-X1-N0400

Streamax - Mobile Digital Video Recorder



Main Features

- ◆ Supports 4 channels 720P
- ◆ Supports Hard disk for main recording
- ◆ Supports GPS for location tracking
- ◆ Supports WIFI for video files download
- ◆ Built-in 3G/4G for live view and remote management
- ◆ Supports 360 degree anti-vibration
- ◆ Supports USB2.0 high speed backup
- ◆ Supports data recovery technology

Overview

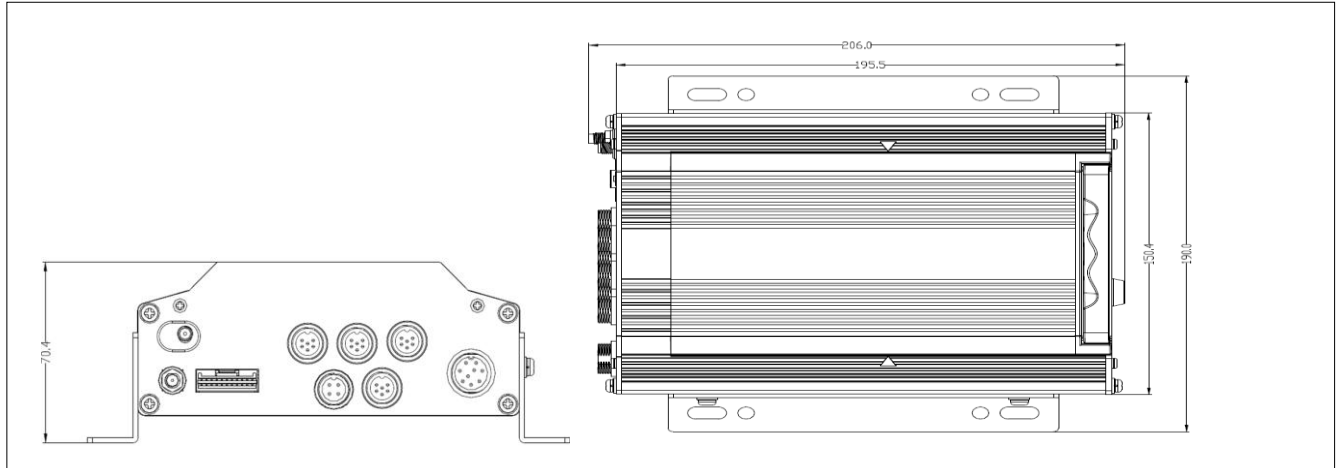
X1-N0400 is a functional Mobile Digital Video Recorder specially designed for vehicle video surveillance and remote monitoring. It has a high-speed processor and embedded operating system, combining with the most advanced H.264 video compression / decompression technology, network, as well as GPS positioning technology. It supports not only video recording in 720P, but also vehicle travel information recording and wireless data upload. It is powerful with modular design, flexible installation, easy maintenance and high reliability.

Specification

Function Overview		Preview, Recording, Playback, Network, Locating
System	OS	Linux 3.0.8
	Control Mode	Easy Check, mouse, network(3G/4G/WIFI)
Video	Input	4 channels 720P
	Output	1 channel
	Total Resource	(4x30)FPS 720P
	Video Signal Standard	Electrical level: 1Vpp Impedance: 75Ω NTSC/PAL Optional
Audio	Input	4 channels
	Output	1channel
	Audio Signal Standard	Electrical level: 2Vpp Input impedance: 4.7kΩ
Display	Display Split	1/4
	OSD	GPS information, alarm, vehicle No., speed, date/time
	Operation Interface	Semi-transparent GUI
Recording	Video/Audio Compression	Video: H.264
		Audio: ADPCM
	Image Resolution	720P(1280X720);
	Image Quality	1-8 levels adjustable (1 is the best)
	Recording Mode	Boot up/Manual/Schedule/Alarm
	Pre-recording	0-60minutes
Post-recording	0-30 minutes	
Playback	Playback Channel	1 channel by local playback
	Search Mode	Date/time, channel, event
Network	WIFI/3G/4G(Optional)	802.11b/g/n/EVDO/WCDMA/TDD-LTE/FDD-LTE
	IPC Ethernet	6-pin DJ(100M x 1, PON power supply)
Locating	GPS	Location tracking, speed detection and time sync
Storage	Hard Disk	2.5" SATA hard disk x 1
Interface	USB	USB2.0 x 1
	RS232	RS232 x 1
	Sensor	8 inputs, 2 outputs

	Speed	1 channel pulse speed detection
	Intercommunication	I MIC interface
Power	Input	DC8-36V, Ignition signal
	Output	5V@1A
	Max Power Consumption	26W
	Standby Power Consumption	≈0W

Dimension (mm)



Physical Characteristic	Dimension (L × W × H)	206.0mm x 190.0mm x 70.4mm
	Weight	1.24Kg
Environment	Operating Temperature	-40°C- +70°C(With heater) or -10°C- +70°C
	Operating Relative Humidity	8%-90% (No Condense)

PC Software



Optional Accessories

GPS module and Antenna 		Built-in WIFI module and Antenna 		Built in 3/4G module and Antenna 		Sensor Box 			
Alarm Box 	Easy Check 	UPS 	LED Panel 	Transfer Cable 	DIN Cable 	Lock Box 	GDS 	Fireproof Box 	Control Panel